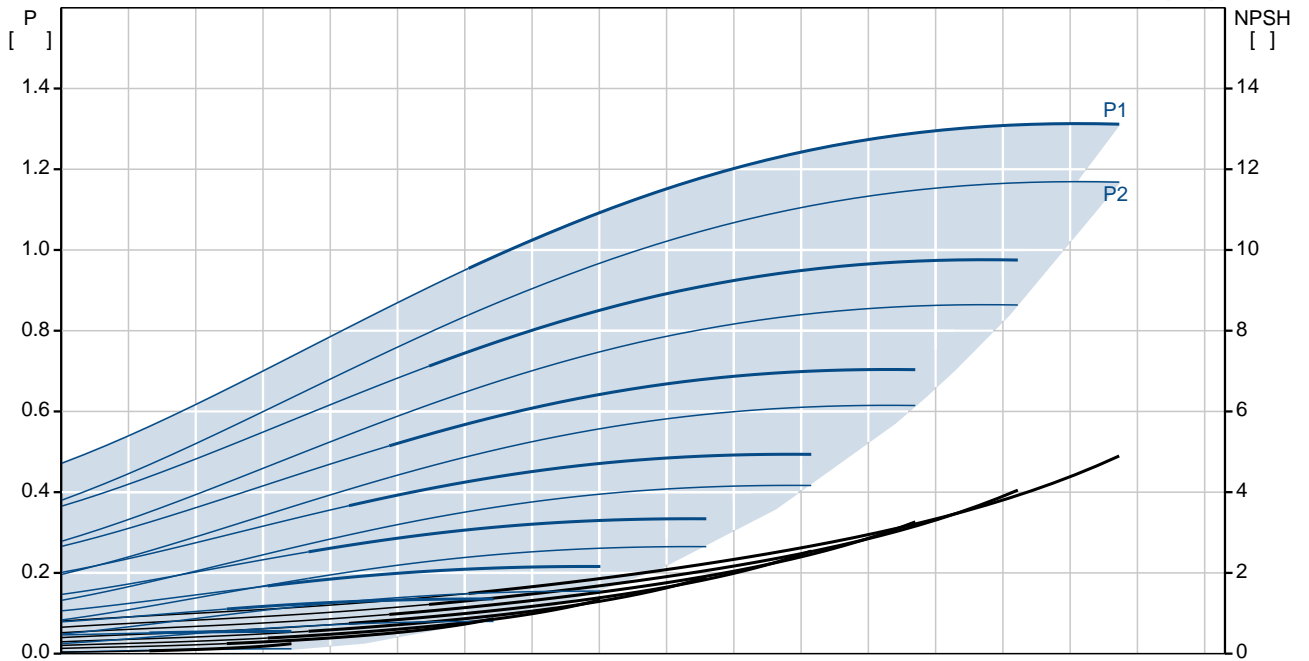
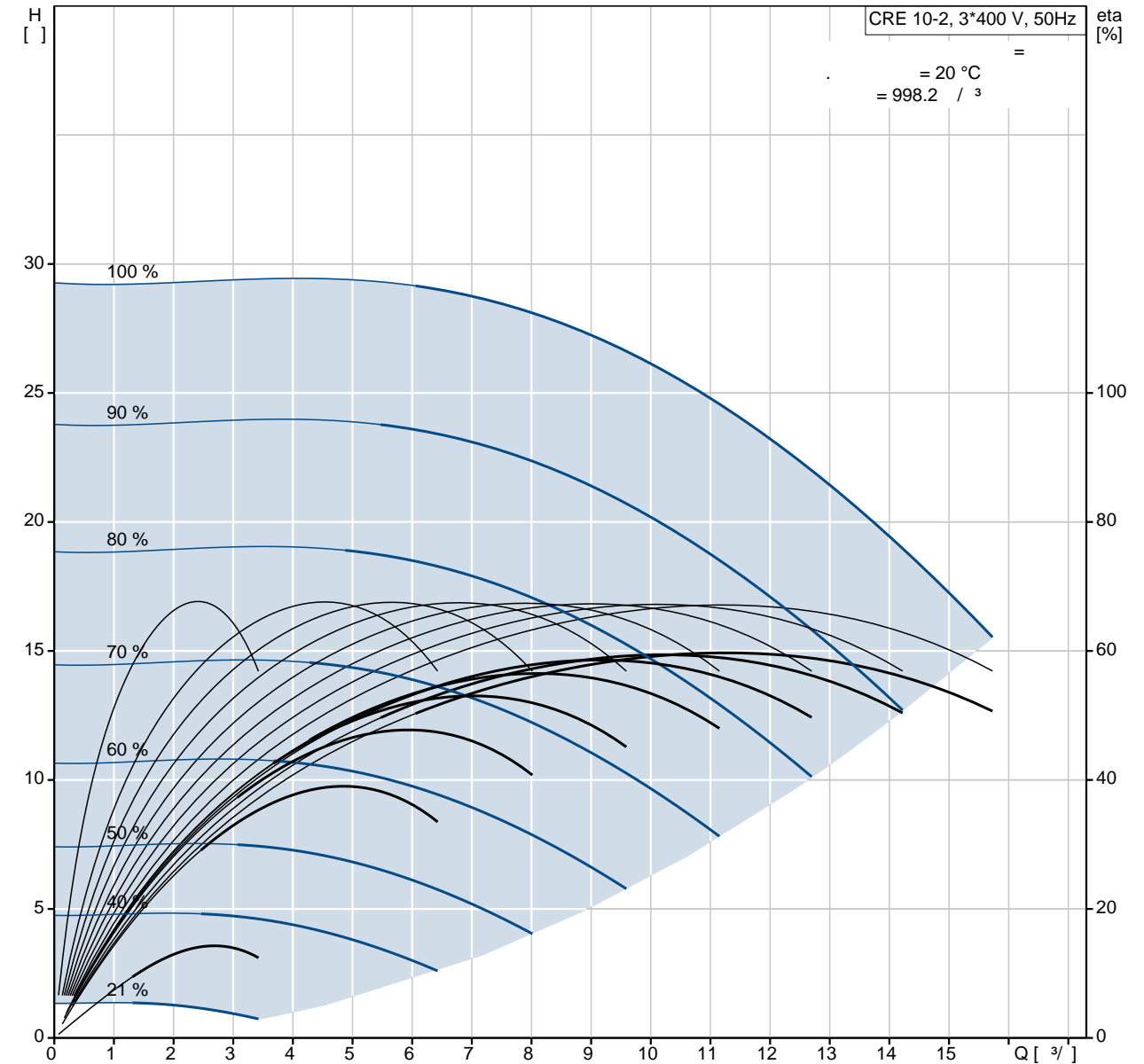
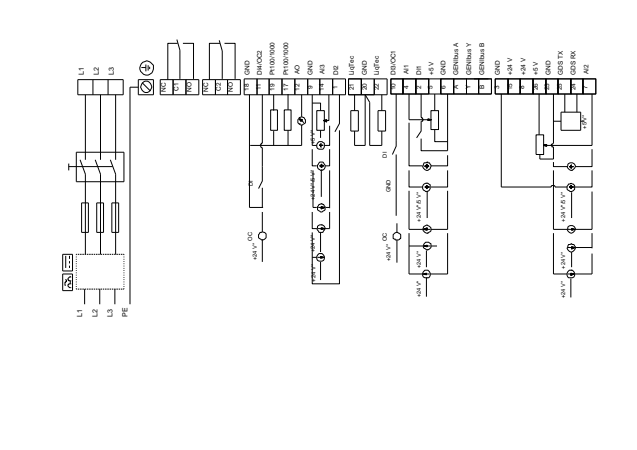
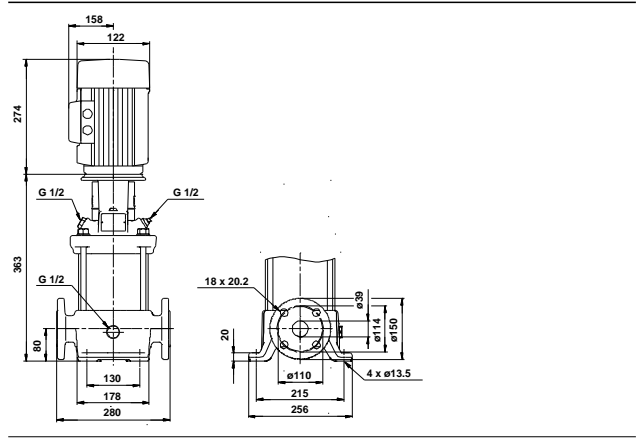
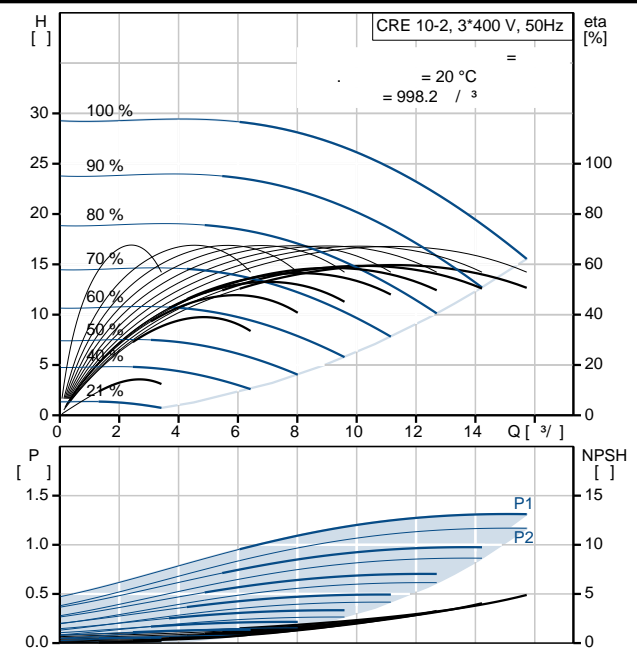


98390265 CRE 10-2 50



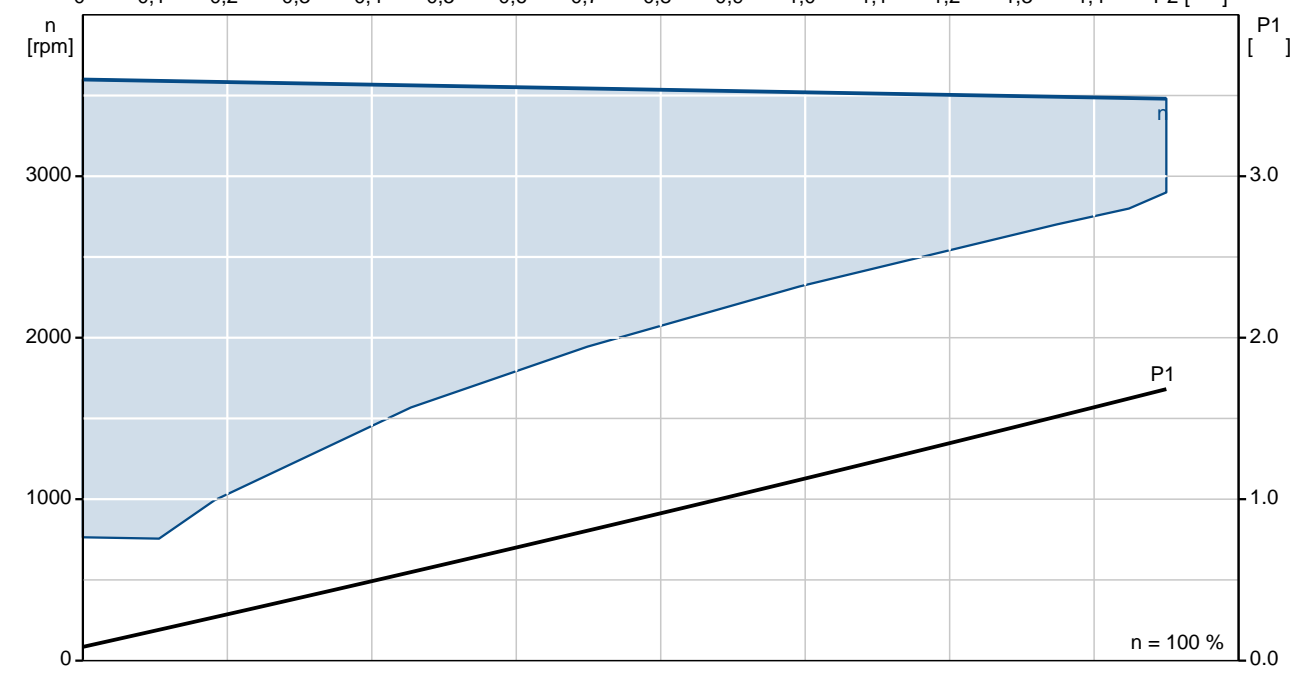
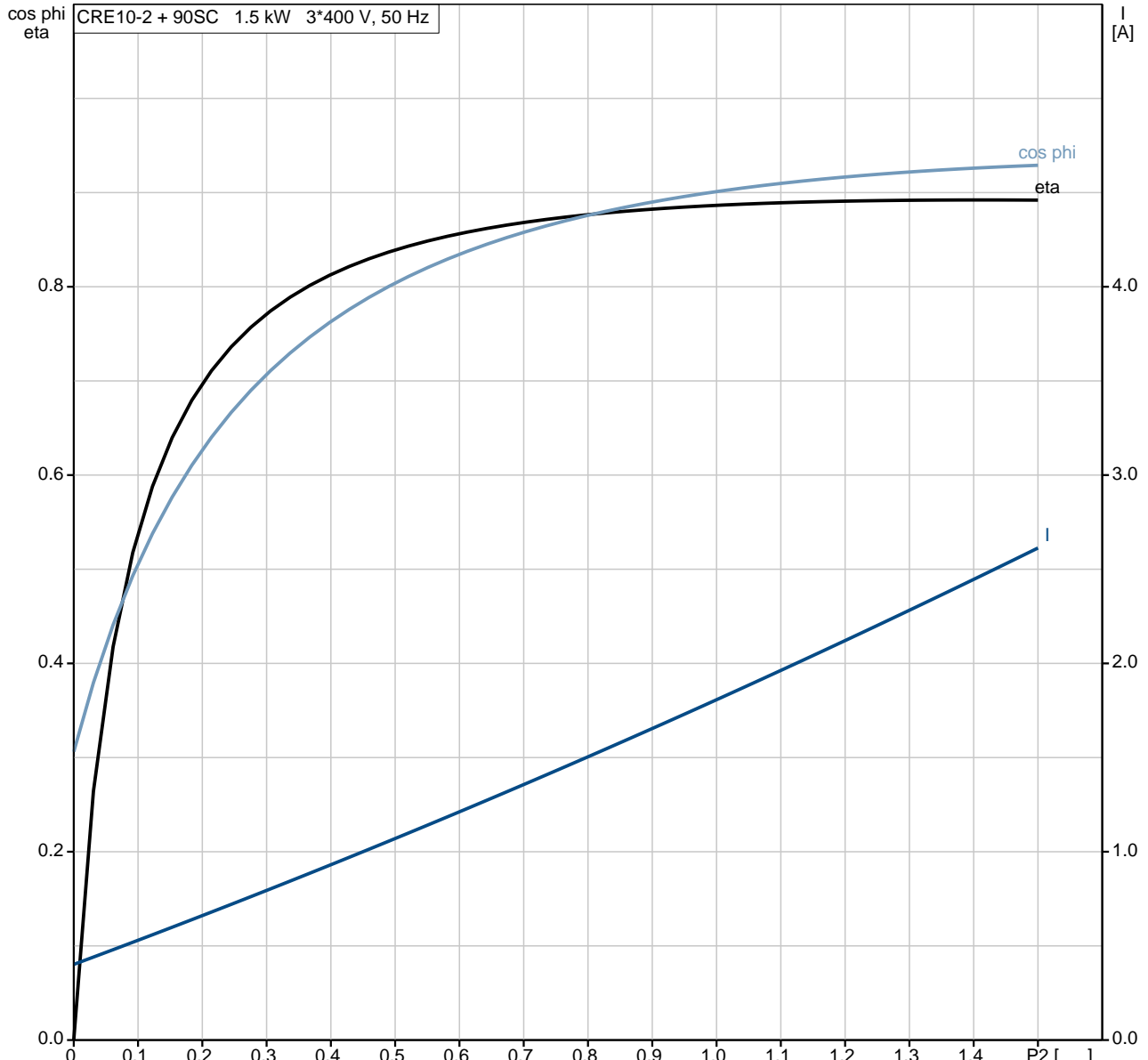
	CRE 10-2 A-FJ-A-E-HQQE
	98390265
EAN	5711494194049
	3501 /
	12.1 ³ /
	22.9
	02
	HQQE
	CE,TR
	ISO 9906:1999 Annex A
	2
	A
	A
	EN-JL1030
	ASTM A48-30 B
	DIN W.-Nr. 1.4301
	AISI 304
	A
	E
	50 °C
	16 / 120 °C
	16 / -20 °C
	DIN
	FJ
	DN 40
	PN 16
	FT115
	-20 .. 120 °C
	20 °C
	998.2 / ³
	1 2/
	90SC
	- P2: 1.5
	50 Hz
	3 x 380-500 V
	2,90-2,40 A
Cos	0,92-0,84
	360-4000 /
	88,0%
(IEC 34-5):	IP55
(IEC 85):	F
	98190189
	HMI200 -
	FM300 - Advanced
	()
	Grundfos Blueflux

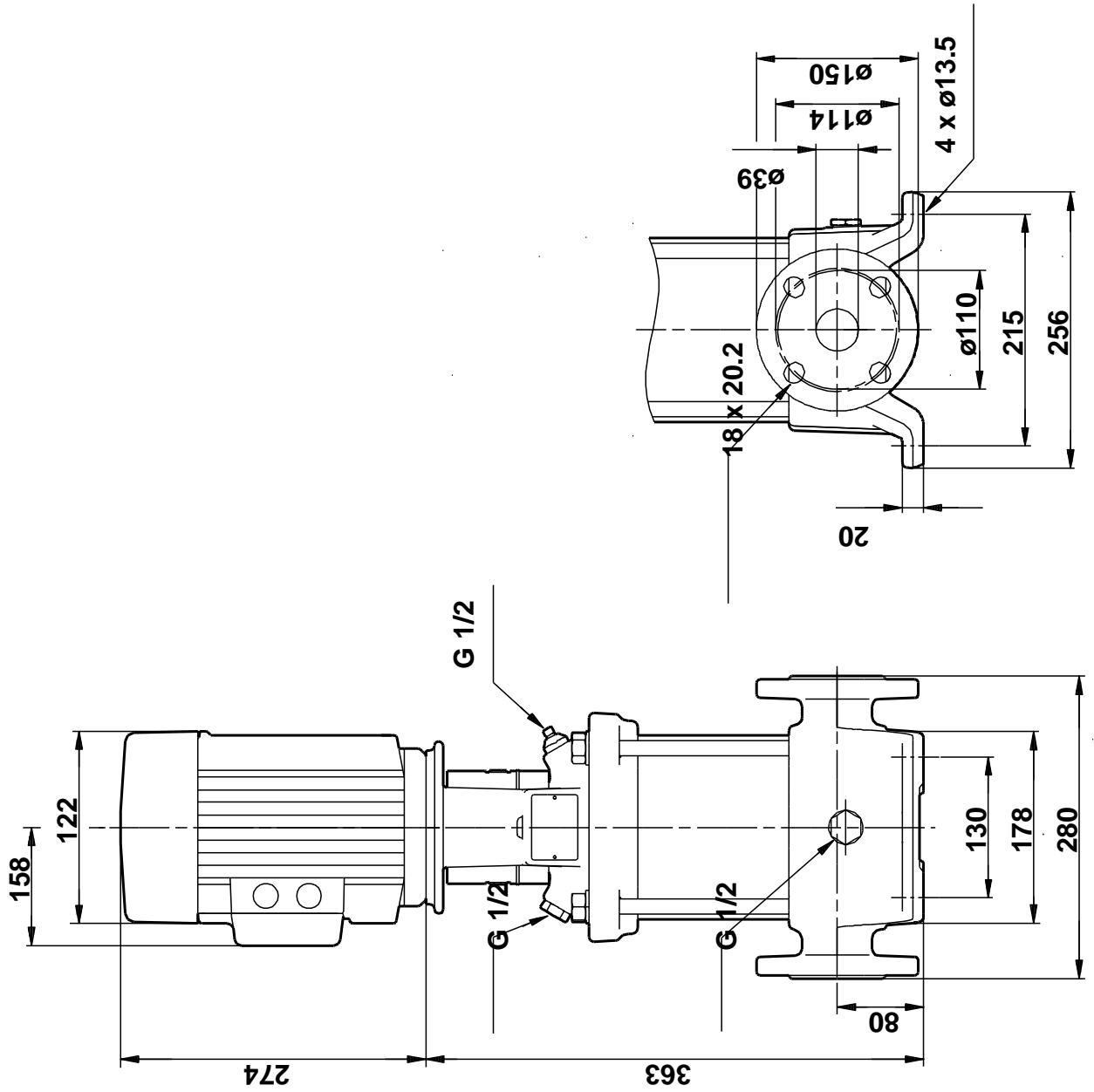


. . . , MEI :	0.7
:	43
:	47
:	98500483

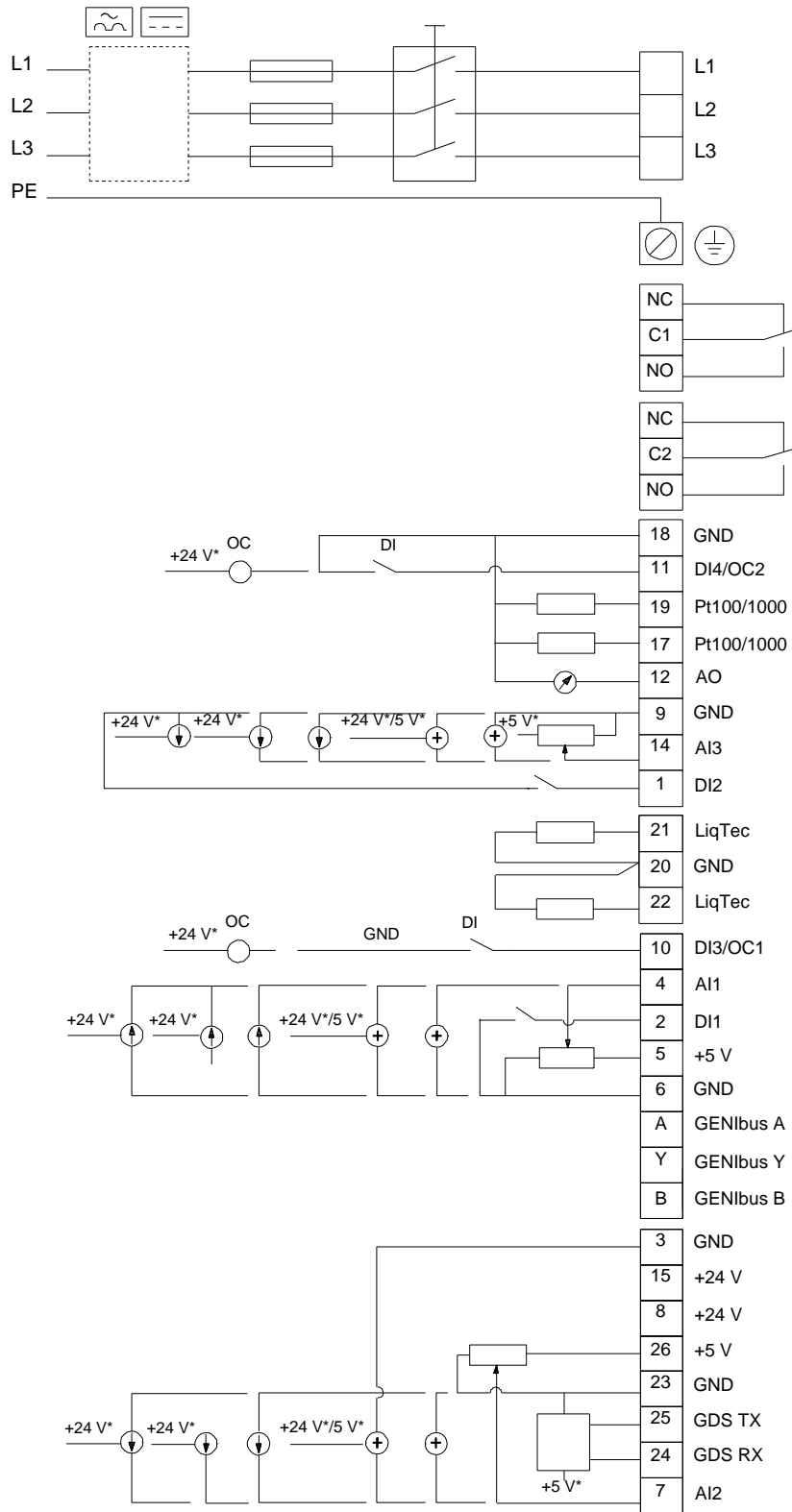
98390265 CRE 10-2 50

CRE10-2 + 90SC 1.5 kW 3*400 V, 50 Hz





98390265 CRE 10-2 50



! [], .