



QAK36.095/109  
QAK37.095/109



QAK36.596/109  
QAK37.596/109

## Screwed Immersion Temperature Sensors

**QAK36...**  
**QAK37...**

with sensing element NTC 10 kΩ

- Temperature sensors for acquiring the medium temperature in boilers, DHW storage tanks and heat exchangers. They screw directly into the threaded hole provided for that purpose
- The QAK36.../ QAK37... and this Data Sheet are intended for use by OEMs which integrate the temperature sensors in their products

### Use

- QAK36... and QAK37... temperature sensors: With sensing element NTC 10 kΩ for the control or limitation of the flow temperature, or limitation of the return temperature.  
The sensors are suited for use with controllers capable of handling the resistance values delivered by such sensors

### Type summary

Type reference	Sensing element resistance	Measuring range °C	Thread	Material of housing	Time constant *	Tolerance at 0 °C	Immersion y in mm	Type of connector	Packing size/pcs
QAK36.095/109	NTC 10 kΩ B(25/100)	-20...110	G1/8"	Nickel-plated brass	4 s	± 1 %	8	AMP Modu 280609-1	100
QAK36.596/109	3988 K ± 1 %		G1/8"		4 s		11.5	Lumberg 2.5 MSF	100
QAK37.095/109	NTC 10 kΩ B(25/100)	-20...110	G1/8"	Nickel-plated brass	4 s	± 1 %	8	AMP Modu 280609-1	100
QAK37.596/109	3460 K ± 1 %		G1/8"		4 s		11.5	Lumberg 2.5 MSF	100

- \* $\tau_{63}$  in water at 0.4 m/s
- QAK36... with NTC 10 kΩ / A-characteristic curve (Siemens Standard)
- QAK37... with NTC 10 kΩ / B-characteristic curve

### Ordering

When ordering, please give type reference according to "Type summary".  
Example: **QAK37.095/109**

## Mechanical design

The standard version of the QAK36.../QAK37... temperature sensor consists of threaded housing with hexagonal head made of nickel-plated brass or stainless steel, sensing element and connector.

## Mounting and installation

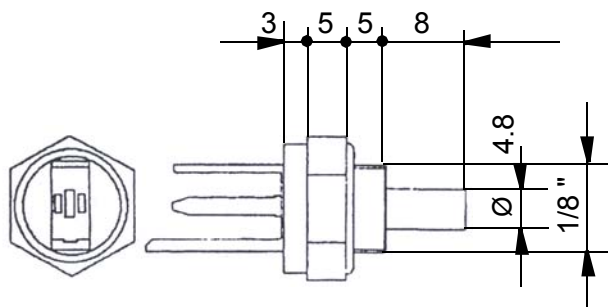
The sensor is designed for direct immersion into the medium to be controlled and is to be screwed tight into the threaded hole provided for that purpose. The sealing ring used must be heat-resistant.

## Technical data

For general sensor data, refer to "Type summary"	Perm. ambient temperature	-20...+105 °C
	Short-time	+125 °C
Norms and standards	Electrical connections	interchangeable
	Climatic and mechanical requirements	to IEC 721-3
	Product safety class	III to EN 60 730

## Dimensions

QAK36.095/109  
QAK37.095/109



QAK36.596/109  
QAK37.596/109

