



DESIGO™

Universal setpoint adjuster **QAX 39.1**

for use with:

- devices of the ranges DESIGO RXC, RXB, RXL, and RXA (PPS2)
- DESIGO PX Automation stations
- devices with a PPS2 interface

-
- **For external setpoint adjustment**

Application

The QAX39.1 setpoint adjuster is a continuously variable setpoint adjuster. It can be connected to the controllers of the DESIGO RX or DESIGO PX range equipped with a PPS2 interface. The adjustment range can be defined in the application program.

Ordering

When ordering, please specify the quantity, product name and type code.

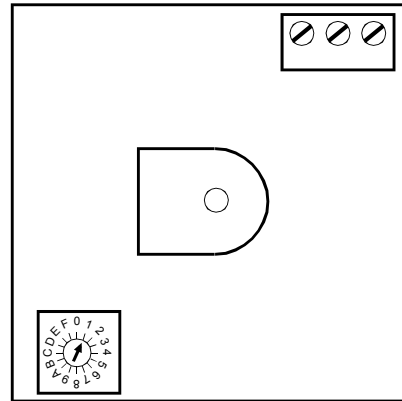
Example: **30 type QAX39.1 setpoint adjusters**

Mechanical design

Multi-part plastic housing, comprising:

- Electronic printed circuit board with potentiometer and 3 connection terminals
- Mounting plate with 3 adjustable end-stops
- Dial
- Scale plate
- Cover plate (transparent)

Address switch



Address switch inside the housing.

It allows setting the address in cases where several room units are connected to one controller.

The setpoint adjuster is delivered with address 1.

Engineering notes

The device receives its power from the connected controller via the PPS2 interface (extra low voltage). Only one room unit may be connected to a RX... room controller.

A maximum of 5 room units may be connected to a PXC... automation station (they are identified by different settings of their address switch)

A twisted-pair cable is required for the connection to the controller (see the respective installation guides). Screening is not required.

Disposal



The device is classified as waste electronic equipment in terms of the European Directive 2002/96/EC (WEEE) and should not be disposed of as unsorted municipal waste.

The relevant national legal rules are to be adhered to.

Regarding disposal, use the systems setup for collecting electronic waste.

Observe all local and applicable laws.

Technical data



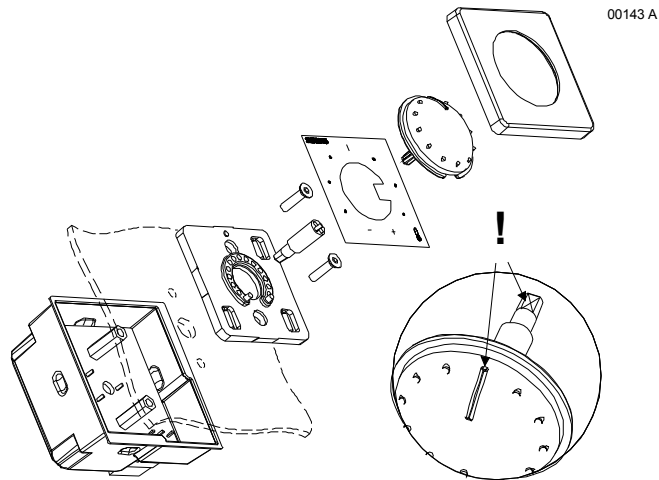
Caution

The unit is not protected against accidental connection to AC 230 V.

Power supply	Operating voltage range	SELV / PELV DC 12 ... 15 V
	The unit receives its supply from the connected controller via a PPS2 interface	
	Power consumption (from controller)	Max. 0.10 VA
Operating data	Setpoint correction	
	Correction range (defined by controller)	Max. ± 12 K (basic setting ± 3 K)
Ports	Type of port between controller and room unit	PPS2 (point-to-point interface, V 2)
	Baud rate	4.8 kBit/s
Cable connections	Connection terminals (screw terminals)	Stranded or solid conductors 0.8 ... 2.5 mm ²
	Single cable length controller – Room unit	See Installation guidelines: DESIGO RXC: CA110334, DESIGO RXB & RXL: CM110381 DESIGO RXA: CA2Z3884 DESIGO PX: CA110396
	Cable type	2-core, twisted pair, unshielded
Housing protection standard	Protection standard to EN 60529	IP 30
Protection class	Insulation protection class	III
Ambient conditions	Operation	IEC 60721
	Environmental conditions	Class 3K5 to IEC 60721-3-3
	Temperature	0 ... 50 °C
	Humidity	< 85 %rh
	Mechanical conditions	Class 3M2
	Transport	IEC 60721
	Environmental conditions	Class 2K3 to IEC 60721-3-2
	Temperature	- 25 ... 65 °C
	Humidity	< 95 %rh
	Mechanical conditions	Class 2M2
Standards and directives	Product standard Automatic electronic controls for household and similar use	EN 60730-1
	Electromagnetic compatibility	
	Immunity (industrial & domestic)	EN 60730-1
	Emissions (domestic)	EN 60730-1
	CE compliance	
	Meets requirements of EMC directive	2004/108/EC
	UL compliance	UL916
	C-Tick conformity (EMC)	AS/NZS 61000-6-3
Environmental compatibility	The product environmental declaration	ISO 14001 (Environment)
	CA2E1646 contains data on materials composition, packaging, environmental benefit, disposal	ISO 9001 (Quality)
Dimensions	See "Dimensions"	
Color	Scale plate	White
	Dial	RAL 9003 (white)
Weight	Excluding packaging	0.06 kg

Mounting instructions

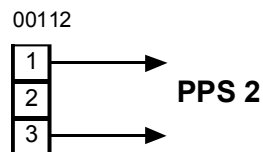
The QAX39.1 setpoint adjuster can be unit mounted, or mounted on control panels or control panel doors, or flush-mounting boxes (on cover plate).



Note!

Not every flush mounting box is suitable for the mounting of a setpoint adjuster!

Connection terminals

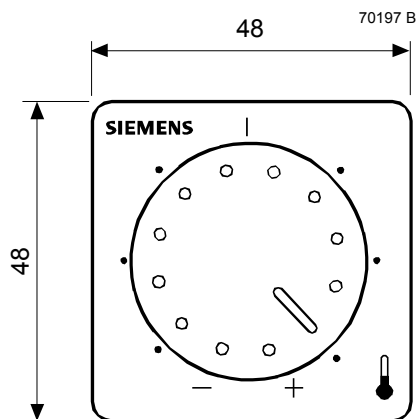
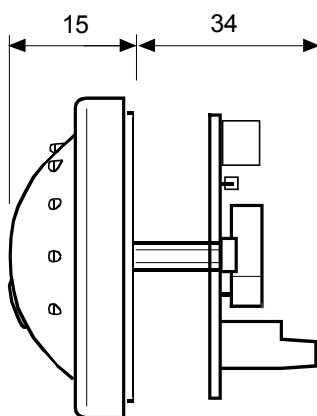


Note!

On all other PPS2 room units, the cable is connected to terminals 1 and 2. Here, however, it must be connected to terminals 1 and 3!

Dimensions

All dimensions in mm



Drilling diagram

